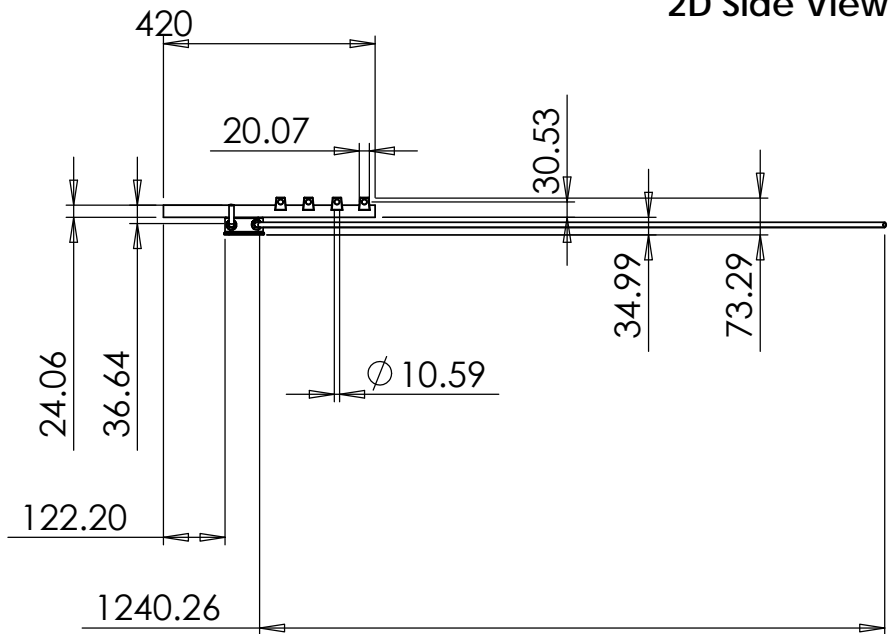
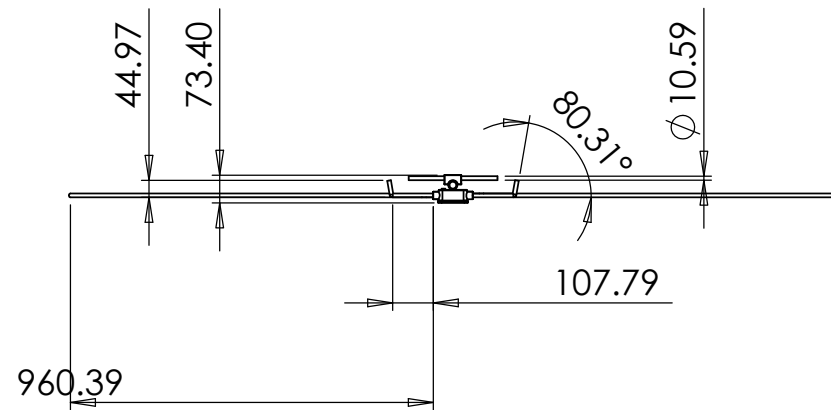


2D Side View



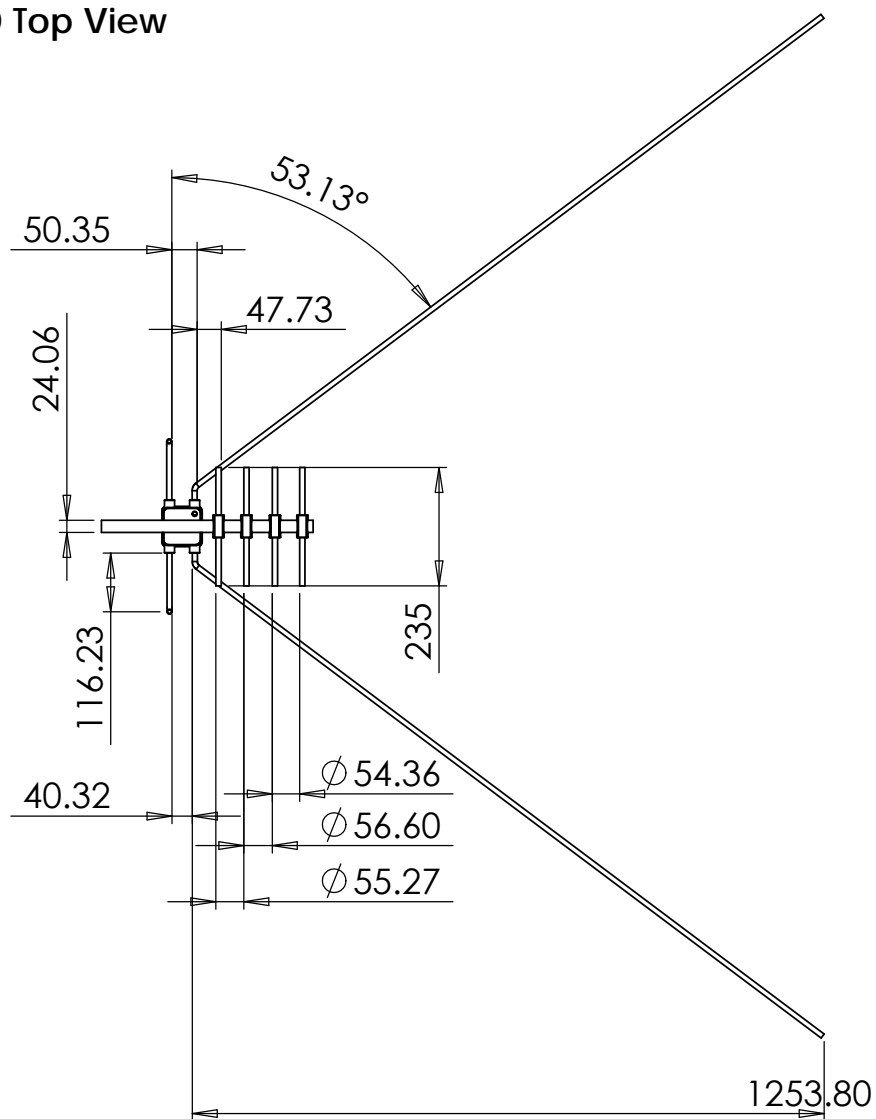
2D Back View



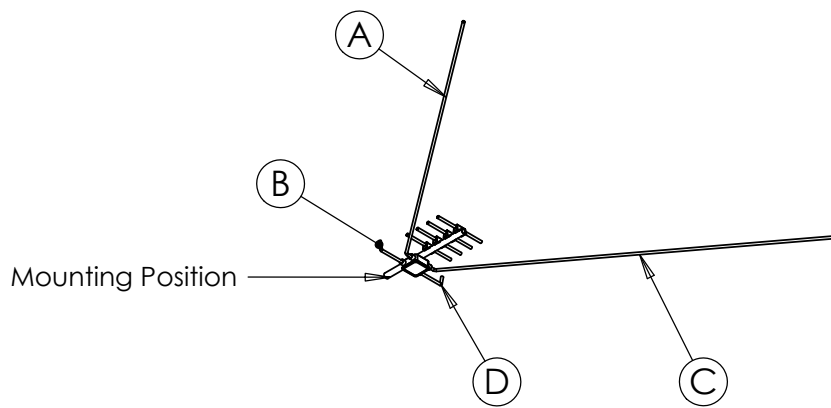
This antenna is design for VHF / UHF TV signal reception. During the construction of the antenna make sure to track the following notes,

1. Connect both A – B and C – D elements using the copper/aluminum wire.
2. Connect 75Ω coaxial cable directly to the A – B and C – D elements.

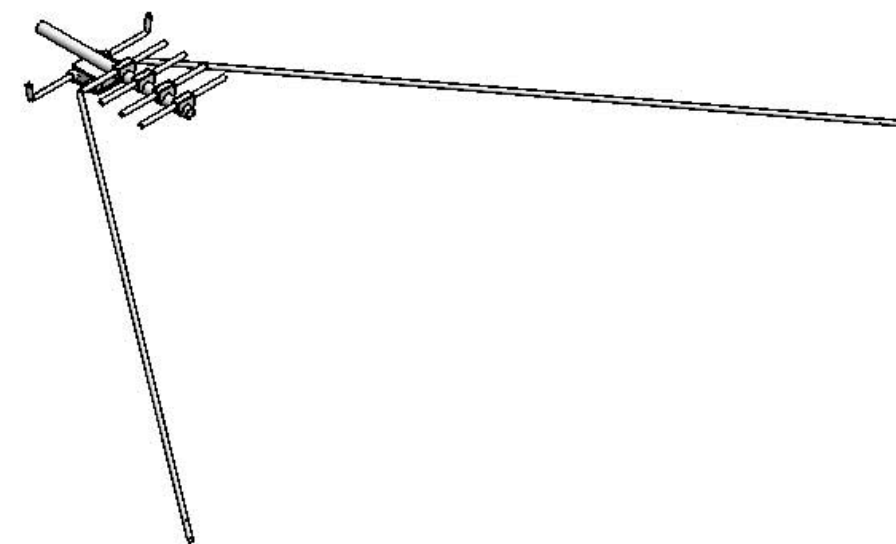
2D Top View



3D Bottom View



3D Top View



THIS WORK IS LICENSED UNDER THE CREATIVE COMMONS ATTRIBUTION-SHAREALIKE 3.0 UNPORTED LICENSE. TO VIEW A COPY OF THIS LICENSE, VISIT [HTTP://CREATIVECOMMONS.ORG/LICENSES/BY-SA/3.0/](http://creativecommons.org/licenses/by-sa/3.0/) OR SEND A LETTER TO CREATIVE COMMONS, 171 SECOND STREET, SUITE 300, SAN FRANCISCO, CALIFORNIA, 94105, USA.

| | | | | | | | |
|-------------|---------|--------------------------------------|--|-----------|---------|------------------------------|----------------------------------|
| | | UNLESS OTHERWISE SPECIFIED: | | NAME | DATE | DILSHAN R JAYAKODY | |
| | | DIMENSIONS ARE IN MILE - METERS (mm) | | DRAWN | DILSHAN | 30/12/2010 | TITLE: VHF/UHF Antenna |
| | | ANGLES ARE IN DEGREES | | CHECKED | | | |
| | | INTERPRET GEOMETRIC TOLERANCING PER: | | ENG APPR. | | | |
| | | MATERIAL ALUMINUM, PLASTIC, PVC | | MFG APPR. | | | |
| | | FINISH | | Q.A. | | | SIZE B |
| NEXT ASSY | USED ON | COMMENTS: | | | | DWG. NO. ANT-HF-01 | |
| APPLICATION | | NOT SCALE DRAWING | | | | REV A | SCALE: 1:20 |
| | | | | | | WEIGHT: 450g | SHEET 1 OF 1 |